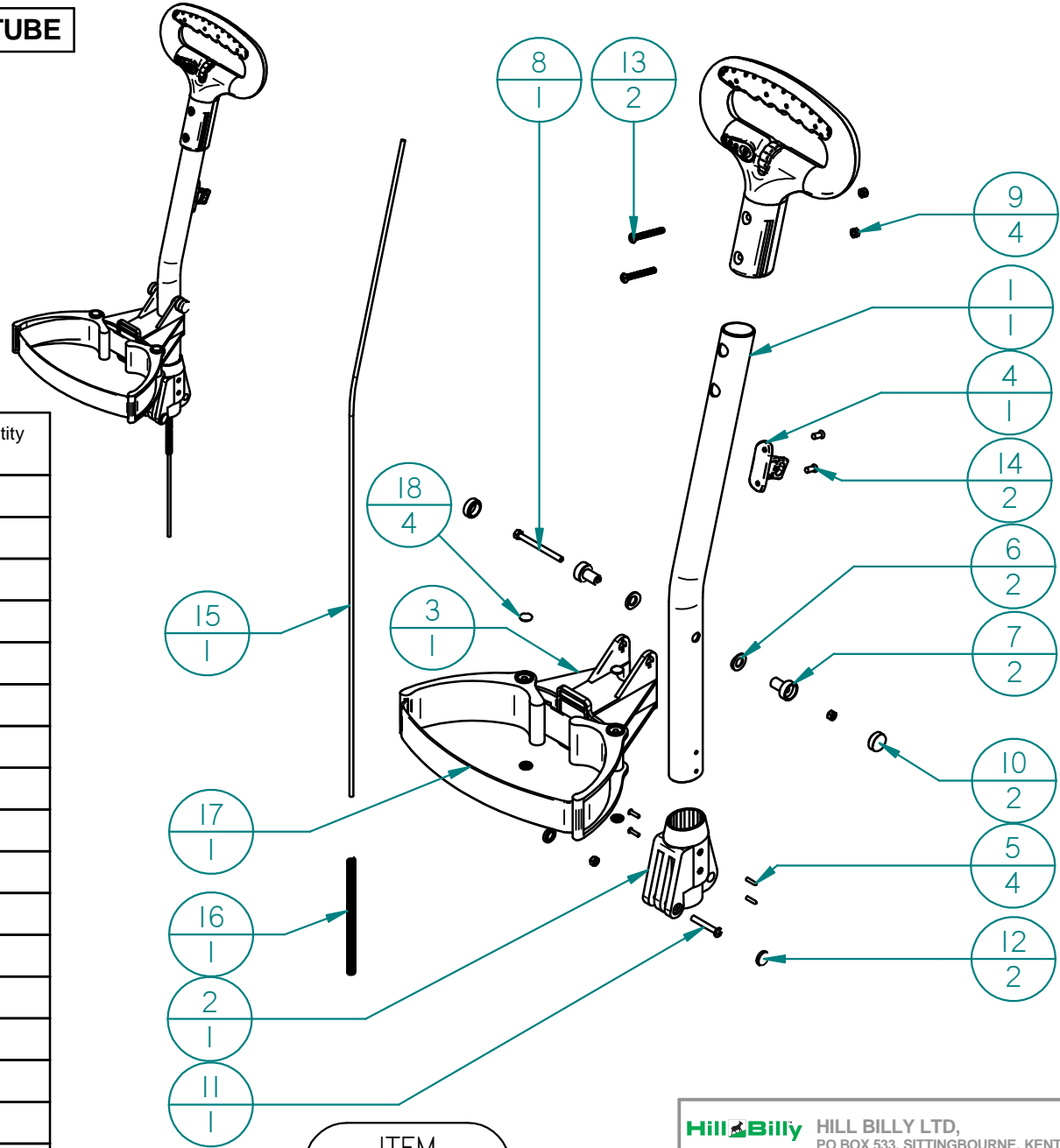


***PLEASE STATE COLOUR WHEN ORDERING TUBE**



Item Number	Document Number	Title	Quantity
1	TFR01	UPPER CENTRAL TUBE *	1
2	ZFR09T	CHASSIS PIVOT UPPER	1
3	TFR10	UPPER BAG STAY	1
4	TFR04	LATCH	1
5	TRV01	PLASTICS RIVET	4
6	TFX47	SADDLE WASHER	2
7	TFX48	UPPER/LOWER REST PIVOT	2
8	TFX45	M5 X60 BOLT	1
9	TFX68	M5 NYLOC NUT	4
10	TFX101	NUT CAP LARGE	2
11	TFX 45	MAIN PIVOT BOLT M5	1
12	TFX102	NUT CAP SMALL	2
13	TFX58	HANDLE TO FRAME SCREW	2
14	TFX04	M5X9.5 CSK SCREW	2
15	TEL13	WIRING LOOM	1
16	TFR062	WIRING LOOM SPRING	1
17	TWE05T	UPPER BAG STRAP	1
18	TFR102	DOMED STARLOCK WASHER	4

ITEM
QUANTITY

Hill Billy HILL BILLY LTD,
PO BOX 533, SITTINGBOURNE, KENT, ME10 9BX, UK

TITLE: **UPPER SUB-ASSEMBLY**

PART NUMBER: _____ ISSUE: 1